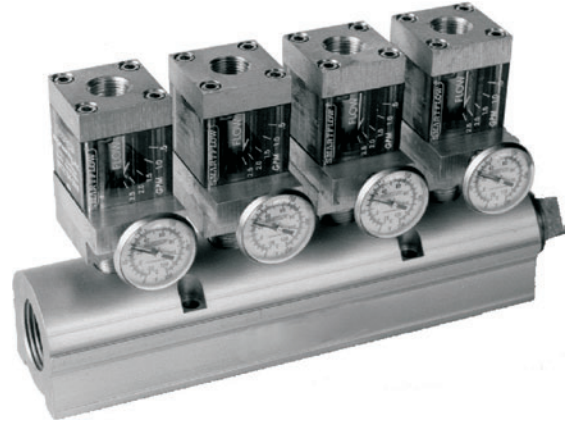


## **STERLFLOW SERIES** **LONG-LASTING DURABILITY**

All SterlFlow aluminum manifolds are constructed from extruded material, machined, then anodized for corrosion protection. Many manifold sizes are stocked, however custom manifolds can be made to your specifications.

Standard red and blue anodizing denotes supply and return for cooling water lines. Other colors are available. 3/4", 1", and 1-1/2" NPT (F) manifolds are equipped with dovetail locking channels, pre-drilled mounting holes, and screws for ease in pairing and mounting.



### **Features**

- One piece extruded aluminum construction (lightweight for long-lasting durability)
- Quality anodizing (protects the manifolds from corrosion and signifies manifold function)
- Different port size options (provides connection flexibility)
- One threaded brass end plug
- NPT female threads both ends
- Specified number of NPT ports
- Pre-drilled mounting holes (manifold is ready to install)
- Single or parallel manifold configurations (adaptable to most mounting situations)
- Common manifold configurations stocked (provides for quick delivery)

### **Options**

- Ball valves (match port size)
- Flow meters

## STERLFLOW SERIES

### DIMENSIONS AND SPECIFICATIONS

Material	Inlet Size, in.	Temperature Rating	Max. Working Pressure Rating	
			Gas (air, inert gas)	Liquid (hydraulic oil, water, benign fluids)
Aluminum (6105-T6) 0.75", 1", 1.5"	.75, 1, 1.5, or 2 NPT (F)	250°F (121°C)	1000 psig	3500 psig
Aluminum (6005-T5) 2"				

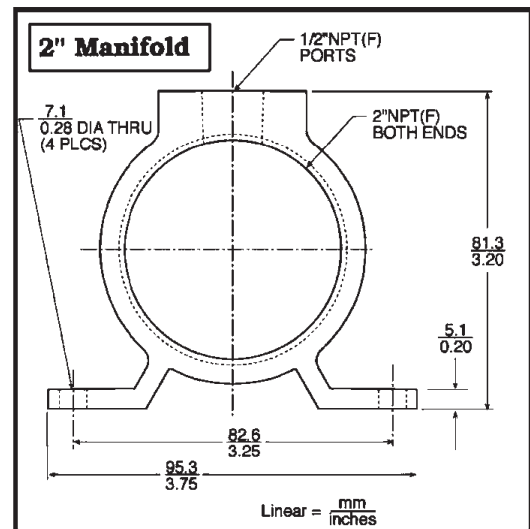
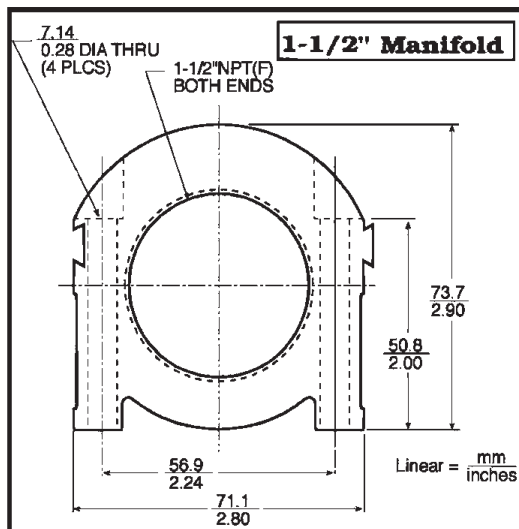
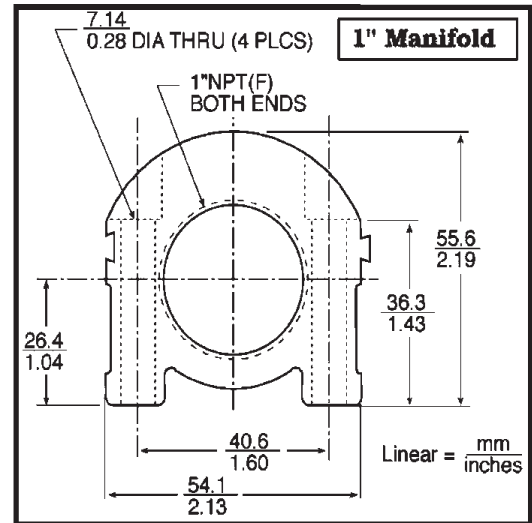
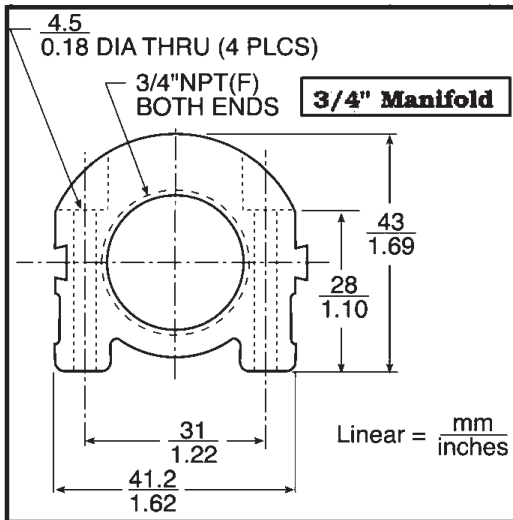
3/4" Stocked Manifolds								
Total Number of Ports								
	Model Number	Length, in. (mm)	Model Number	Length, in. (mm)	Model Number	Length, in. (mm)	Model Number	Length, in. (mm)
4	6SA-4-2-2	7.5 (190)			6SA-4-3-2	9 (229)		
6	6SA-6-2-2	10.5 (267)			6SA-6-3-2	13 (330)		
8	6SA-8-2-2	13.5 (343)	6PA-8-2-22	7.5 (190)	6SA-8-3-2	17 (432)	6PA-8-3-22	9 (229)

1 1/2" Manifolds						
Total Number of Ports (1/2")						
	Model Number	Model No. with Ball Valve	Length, in. (mm)	Model Number	Model No. with Ball Valve	Length, in. (mm)
4	743.00127.00	743.00138.00	10 (254)			
6	743.00128.00	743.00139.00	14 (356)			
8	743.00129.00	743.00140.00	18 (457)	743.00133.00	743.00144.00	10 (254)
10	743.00130.00	743.00141.00	22 (559)			
12	743.00131.00	743.00142.00	26 (660)	743.00134.00	743.00145.00	14 (356)
16	743.00132.00	743.00143.00	34 (864)	743.00131.00	743.00032.00	18 (457)
20				743.00135.00	743.00146.00	22 (559)
24				743.00136.00	743.00147.00	26 (660)
32				743.00137.00	743.00148.00	34 (864)

2" Manifolds			
Total Number of Ports (1/2")			
	Model Number	Model No. with Ball Valve	Length, in. (mm)
4	743.00149.00	743.00154.00	10 (254)
6	743.00150.00	743.00155.00	14 (356)
8	743.00151.00	743.00156.00	18 (457)
12	743.00152.00	743.00157.00	26 (660)
16	743.00153.00	743.00158.00	34 (864)



**STERLFLOW SERIES**



# STERLFLOW SERIES

## LONG-LASTING DURABILITY

Dimension Chart, in. (mm)				
Manifold Size	Port Size (NPT)	A	B	C
3/4", 1"	1/8"	1.5 (38.1)	1.0 (25.4)	2.0 (50.8)
	1/4"		1.5 (38.1)	2.25 (57.2)
	3/8"		2.0 (50.8)	2.5 (63.5)
	1/2"			
1.5"	1/4"	1.5 (38.1)	1.5 (38.1)	2.25 (57.2)
	3/8"		2.0 (50.8)	2.5 (63.5)
	1/2"	2.0 (50.8)	2.0 (50.8)	3.0 (76.2)
	3/4"		3.0 (76.2)	3.5 (88.9)
2"	1/2"	2.0 (50.8)	2.0 (50.8)	1.0 (25.4)
	3/4"		3.0 (76.2)	
	1"			

