

APEX YS SERIES ECONOMICAL AND EFFICIENT IN A COMPACT DESIGN

The Sterling YS Series pickers feature high payload capacities, a proven design and a state-of-the-art control system. These pickers are backed by Sterling's worldwide network of technical, sales and service support personnel, including experienced design and application engineers.

YS Series sprue pickers from Sterling are designed to be a cost-effective sprue removal robot and feature a single stage vertical arm for simple operation. The standard controller provides teach-programmable sequences for maximum flexibility.



Features

- Performance, speed and flexibility in your choice of two exceptionally reliable packages
- Compact, lightweight design permits quick, easy installation
- Oil-less pneumatic drive system is virtually maintenance-free, increasing reliability
- Programmable microprocessor controller includes an easy-to-operate, hand-held pendant

Options

- Vertical motions ride on linear bearings which allow for lower profiles with increased speed and rigidity
- Venturi vacuum circuit with verification and adjustable vacuum tool
- B-90° wrist rotate
- Mold spray system with controller (excludes nozzles)
- Swing out home position for rack molds
- Non-SPI version
- Spanish version controller
- Tool-free adjustments

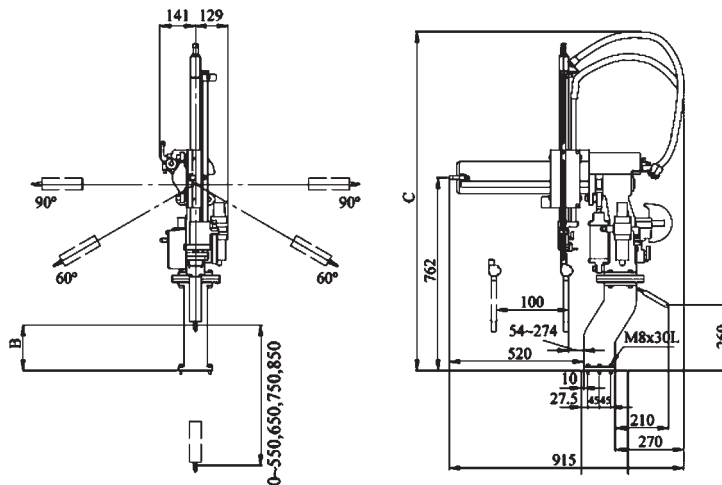


APEX YS SERIES

SPECIFICATIONS

Model	Vertical Stroke (mm/in)	IMM Range (tons)	Dry Cycle (sec)		Gripper Heights (mm/in) (B)	Overall Height (mm/in) (C)	Net Weight (kg)
			Take-Out	Overall			
YS-550	550/21.7	60-180	0.7	3.2	115-315/4.5-12.4	1188-1388/ 46.8-54.6	33.5
YS-550W					35-235/1.8-9.3		34
YS-650	650/25.6	120-250	0.8	3.4	115-315/4.5-12.4	1288-1488/ 50.7-58.6	34
YS-650W					35-235/1.8-9.3		34.5
YS-750	750/29.5	200-350	1.0	3.8	75-275/3.0-10.8	1388-1588/ 54.6-62.5	34.5
YS-750W					0.0-190/0.0-7.5		35
YS-850	850/33.5	300-450	1.2	4.0	75-275/3.0-10.8	1488-1688/ 58.6-66.5	35
YS-850W					0.0-190/0.0-7.5		35.5

W: Wrist Rotation



YS-XXX

