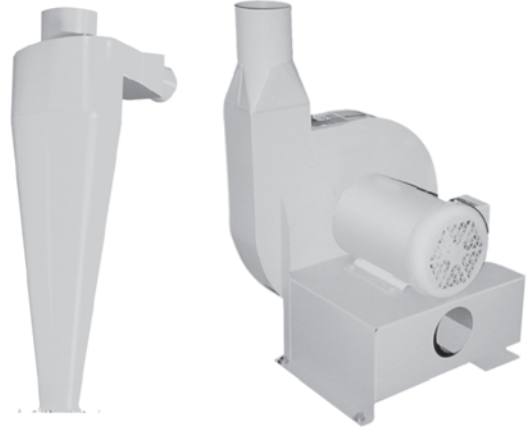


FD, FV, S SERIES **SCRAP HANDLING AND RECLAIM** **FOR A VARIETY OF PROCESSES**

FD and FV conveying systems are used to convey ground film scrap to the fluff feed unit or storage tank. FD Series fluff blowers feature direct drive motors, and FV Series blowers feature belt drive motors. The S Series cyclones can be used with fluff feed hoppers or fluff storage tanks.



Features

- High-performance blowers and cyclones designed for fluff
- Choice of 230/3/60 or 460/3/60 operating voltages
- Direct drive (FD) or belt drive (FV) blower motors

Options

- Manual starter on blower
- Special voltage (please specify)





FD, FV, S SERIES

FD, FV SERIES SPECIFICATIONS

Blower Model	Blower Power, HP (kW)	Air Flow, cfm (cmh)	Tube Diameter dia. OD, in. (mm)
4001FD	1 (0.746)	545 (925)	4 (101.6)
4001FD	2 (1.492)	785 (1330)	4 (101.6)
5003FD	3 (2.238)	900 (1530)	5 (127.0)
5005FD	5 (3.730)	1100 (1870)	5 (127.0)
6075FD	7.5 (5.595)	1400 (2380)	6 (152.4)
6075FV	7.5 (5.595)	1400 (2380)	6 (152.4)
7010FV	10 (7.460)	1770 (3005)	7 (177.8)
8010FV6	15 (11.190)	2180 (3700)	8 (203.2)

S SERIES SPECIFICATIONS

Blower Model	Air Flow, cfm (cmh)	Tube Diameter dia. OD, in. (mm)
10 (S4)	300 (510)	3 (76.2)
12 (S5)	545 (925)	4 (101.6)
13 (S6)	785 (1330)	4 (101.6)
14 (S7)	1100 (1870)	5 (127.0)
18 (S8)	1400 (2380)	6 (152.4)
24 (S9)	1770 (3005)	7 (177.8)
36 (S10)	2180 (3700)	8 (203.2)



FD, FV, S SERIES

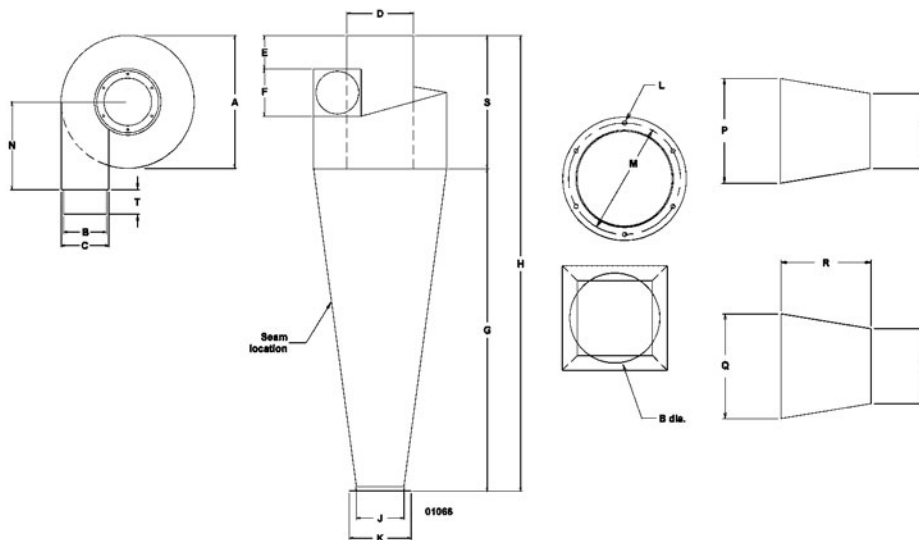
DIMENSIONS, IN. (CM)

Cyclone Model	A	B	C	D	E	F	G	H	J
10	9 (22.9)	3 (7.6)	2 (5.1)	4-1/2 (11.4)	2-1/2 (6.4)	4.5 (11.4)	22-3/8 (56.8)	31-7/8 (80.9)	4 (10.2)
12	12 (30.5)	4 (10.2)	4 (10.2)	5-3/4 (14.6)	3-1/2 (8.9)	3.5 (8.9)	31 (78.7)	43-1/2 (110)	4 (10.2)
13	15 (38.1)	4 (10.2)	5 (12.7)	8 (20.3)	4 (10.2)	5 (12.7)	32 (81.3)	47 (119)	6-3/4 (17.1)
14	18 (45.7)	5 (12.7)	5-3/4 (14.6)	9 (22.9)	4-3/4 (12.1)	5-3/4 (14.6)	42-1/8 (107)	60-1/4 (153)	6-3/4 (17.1)
18	24 (60.9)	8 (20.3)	9 (22.9)	12 (30.5)	5-5/8 (14.3)	9 (22.9)	57-1/4 (145)	81-1/4 (206)	8 (20.3)
24	28 (71.1)	9 (22.9)	10 (25.4)	14-1/2 (36.8)	7 (17.8)	10 (25.4)	68 (173)	96 (244)	10 (25.4)
36	Consult factory								

DIMENSIONS, IN. (CM)

Cyclone Model	K	L ¹	M	N	P	Q	R	S	T
10	6 (15.2)	1/4 (6.35)	5-1/8 (13.0)	5 (12.7)	4-1/2 (11.4)	4-3/4 (12.1)	3-1/2 (8.9)	9 (22.9)	4 (10.2)
12	6 (15.2)	1/4 (6.35)	5-1/8 (13.0)	6 (15.2)	4-3/4 (12.1)	4-3/4 (12.1)	4-1/2 (11.4)	12 (30.5)	4 (10.2)
13	9-1/2 (24.1)	5/16 (7.94)	8-1/2 (21.6)	12 (30.5)	5 (12.7)	5 (12.7)	12 (30.5)	15 (38.1)	4 (10.2)
14	9-1/2 (24.1)	5/16 (7.94)	8-1/2 (21.6)	12 (30.5)	5-3/4 (14.6)	5-3/4 (14.6)	12 (30.5)	18 (45.7)	4 (10.2)
18	10- 7/16 (26.5)	3/8 (9.53)	9-1/2 (24.1)	16 (40.6)	9 (22.9)	9 (22.9)	16 (40.6)	24 (60.9)	5 (12.7)
24	13 (33.0)	3/8 (9.53)	11-3/4 (29.9)	14-1/2 (36.8)	10 (25.4)	10 (25.4)	14-1/2 (36.8)	28 (71.1)	5 (12.7)
36	Consult factory								

¹ Metric dimensions are in mm instead of cm





PELLET HANDLING SYSTEMS

FLUFF BLOWERS AND CYCLONE SEPARATORS

FD, FV, S SERIES

NOTES:



476 MEETINGHOUSE ROAD, SOUDERTON, PENNSYLVANIA 18964 • USA
PHONE: 215-723-7284 • FAX: 215-723-9115 • WWW.CHLSYSTEMS.COM
EMAIL: EQUIPMENT@CHLSYSTEMS.COM

