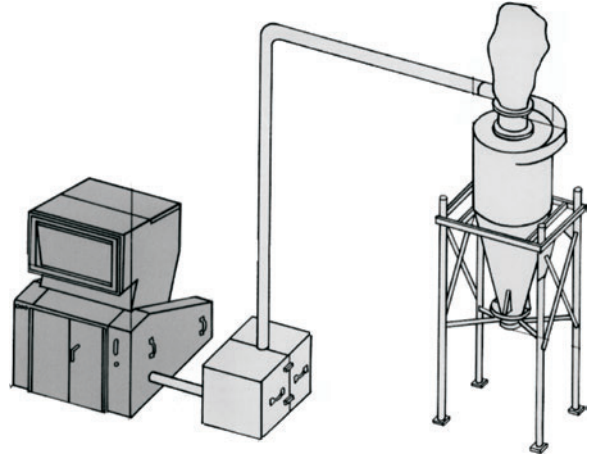


CONVEYING SYSTEMS AVAILABLE IN A WIDE RANGE OF SIZES

Pneumatic discharge systems ranging from 2" to 12" line size; 1-25 hp. The blower systems are designed to convey material from the granulator to a discharge box or silo. Available in machine-mount or floor-mount design.



Features

- Carbide coated steel wheel design for high wear applications
- Multiple bag side mounted filter head standard
- Stand alone cyclone separator head
- Full line of reducers, couplings, pipe, elbows and diverters
- Controls: stand alone or integrated with the granulator/shredder

Options

- Dust removal; Metal Separation
- Special Inlet Design
- Sound Enclosure

CONVEYING SYSTEMS

UNLOADING SYSTEMS

Blower/Fan Type	Model	Capacity, max. distrib., cfm (cmh)	Line Dia. In/Out, in. (mm)	Max Throughput per hour ¹ , lbs. (kg)	Power, hp (kW)	Drive	Approx. Max. Conveying Distance, ft. (m)	
							Vertical	Horizontal
Non-hinged	F211 ²	75 (127)	2 (50.8)	135 (61)	1 (0.75)	Direct	10 (3.05)	25 (7.63)
Hinged	F410	350 (595)	4 (101.6)	630 (286)	1 (0.75)	Direct	12 (3.66)	50 (15.25)
Hinged	F512	450 (765)	5 (127)	810 (368)	3 (2.24)	Direct	20 (6.10)	90 (27.45)
Hinged	F614	900 (1529)	6 (152.4)	1620 (735)	5 (3.73)	Direct	30 (9.15)	100 (30.5)
Non-hinged	F819	1400 (2379)	8 (203.2)	2500 (1135)	10 (7.46)	Belt	40 (12.2)	170 (51.85)

¹ Fan throughput rates and flow capacities increase as distance from fan to Cyclone unit diminishes

² Includes fifteen feet (4.575 m) of wire-reinforced flexible tubing

CYCLONE SYSTEMS WITH MANIFOLDS

Model ²	Use with Fan Type	Inlet/Outlet Remove "Range", in. dia. (mm dia.)	Length Without Filter Bag, in. (cm)	Length Without Filter Bag, in. dia. (cm dia.)
CS-10 ¹	F211	2/3 (50.8-76.2)	20 3/4 (52.7)	8 (20.3)
HE-50	F410	4/4 (101.6-101.6)	40 1/2 (102.9)	16 (40.6)
HE-75	F512	5/5 (127-127)	51 1/2 (130.8)	20 (50.8)
HE-100	F512	6/6 (152.4-152.4)	59 3/16 (150.3)	24 (61.0)
HE-150	F614	6/6 (152.4-152.4)	59 3/16 (150.3)	24 (61.0)
HE-250	F819	8/8 (203.2-203.2)	85 13/32 (216.9)	38 (96.5)

¹ Manifold assembly not available for CS-10 Cyclone models

² Under 50' of length, use next larger size cyclone

CYCLONE FILTER BAGS

Model	Filter Dia., in. (cm)	Filter Length, in. (cm)	Filter Type	Qty. of Bags
CS-10 ¹	8 (20.3)	15 (38.1)	Polypropylene	1
HE-50	18 (45.7)	72 (182.9)		2
HE-75	18 (45.7)	96 (243.8)		2
HE-100	18 (45.7)	96 (243.8)		4
HE-150	24 (60.9)	93 (236.2)		4
HE-250	24 (60.9)	93 (236.2)		4

¹ Includes filter bag support rod

