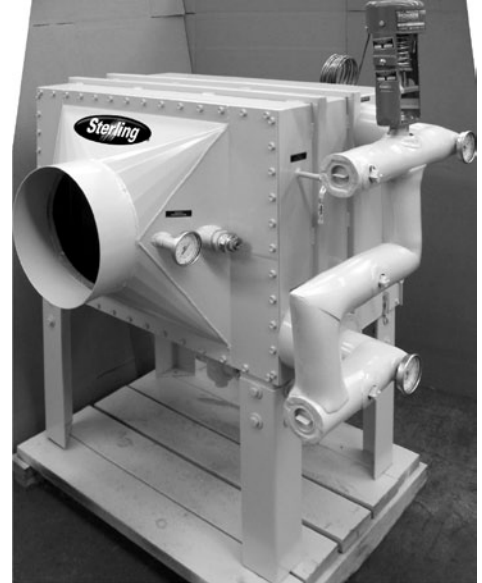


SBFC SERIES INCREASE BLOWN FILM PRODUCTIVITY YEAR ROUND WITH A PERFORMANCE PROVEN RING-COOLING SYSTEM

Today's competitive blown film business calls for consistent, high quality product and increased productivity especially in warmer climates or when ambient air temperatures rise in summer months.

Sterling's SBFC Series blown film coolers boost productivity by eliminating production variables. Full engineered chilled water coil assemblies deliver air ring cooling at constant temperature, pressure and volume. It's a proven system backed by more than two decades of experience with documented production increases up to 25%.



Features

- Designed for floor or ceiling mounting for ease of installation
- Deep, high surface area, chilled-water coil using copper tubes and aluminum fins to insure optimum heat transfer
- Insulated housing with integral drip pan and bolt-on support legs
- Dial thermometers for discharge air stream, discharge chilled water supply and return to monitor temperatures
- Condensate drain trap for removal of collected condensation

Options

- Self-operating, 2 or 3-way chilled water valve for accurate leaving air temperature control
- Complete motor controls including factory wired starter and on/off switch



SBFC SERIES

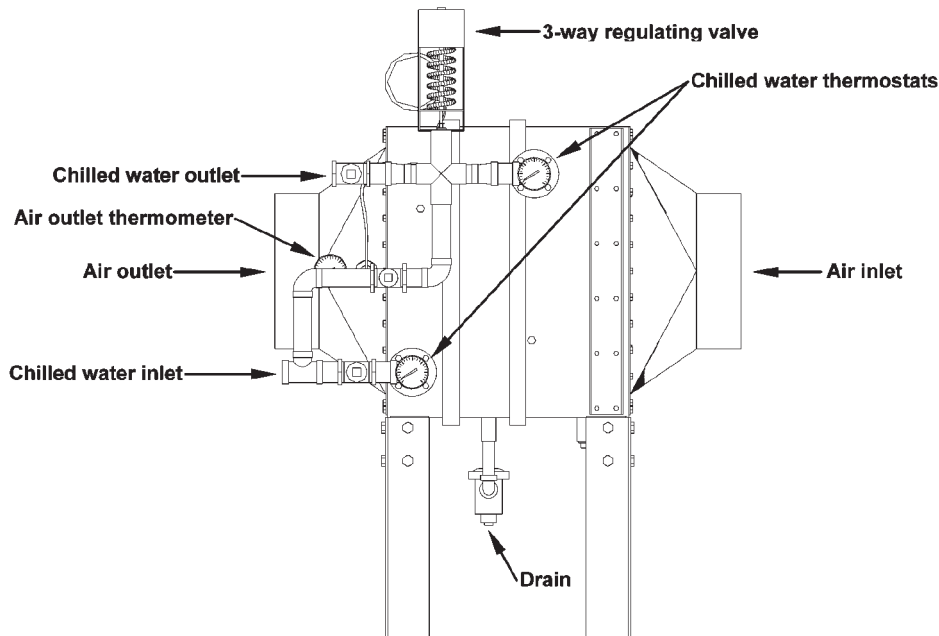
SPECIFICATIONS

Model	Air flow rated hp/kW, cfm (cmh)	Nominal cooling required, tons (Kcal/hr)	Die Max. dia., in. (cm)	Base model shipping weight, lbs. (kg)	"B" models: (base unit plus 16" static pressure fan section with damper)		"BH" models: (base unit plus 35" static pressure fan section with damper)	
					Fan motor power, hp (kW)	Ship. weight, lbs. (kg)	Fan motor power, hp (kW)	Ship. weight, lbs. (kg)
SBFC600	600 (1019)	7.3 (22075)	5 (12.7)	440 (205)	3 (2.24)	570 (265)	7.5 (5.60)	1030 (478)
SBFC1000	1000 (1699)	12.1 (36590)	18 (45.7)	440 (205)	5 (3.73)	570 (265)	10 (7.46)	1030 (478)
SBFC1500	1500 (2548)	18.2 (55037)	30 (76.2)	690 (321)	7.5 (5.60)	890(413)	15 (11.19)	1325 (615)
SBFC2000	2000 (3398)	24.2 (73181)	40 (101.6)	740 (344)	10 (7.46)	965 (448)	20 (14.92)	1465 (680)
SBFC3500	3500 (5946)	42.4 (128217)	60 (152.4)	1260 (585)	20 (14.92)	1710 (794)	40 (29.84)	2365 (1098)
SBFC5000	5000 (8495)	60.5 (182952)	80 (203.2)	1880 (873)	30 (22.38)	2465 (1144)	60 (44.76)	3165 (1469)

1 Entering air @ 100° F (38° C) dry bulb, 80° F (27° C) wet bulb, 40° F (4° C), chilled water = 50° F (10° C) leaving air temp.

DIMENSIONS

Model	Base Unit, in. (cm)			"B" models, in. (cm)			"BH" models, in. (cm)		
	Width	Length	Height	Width	Length	Height	Width	Length	Height
SBFC600	48.0 (122)	49 (125)	58 (147)	48.0 (122)	96 (244)	58 (147)	48.0 (122)	96 (244)	58 (147)
SBFC1000	48.0 (122)	49 (125)	58 (147)	48.0 (122)	96 (244)	58 (147)	48.0 (122)	96 (244)	58 (147)
SBFC1500	49.0 (124)	42 (107)	54 (137)	49.0 (124)	90 (224)	54 (137)	49.0 (124)	90 (224)	54 (137)
SBFC2000	49.0 (124)	48 (122)	66 (168)	49.0 (124)	96 (244)	66 (168)	49.0 (124)	96 (244)	66 (168)
SBFC3500	59.0 (150)	61 (155)	78 (198)	59.0 (150)	121 (308)	71 (181)	59.0 (150)	121 (308)	78 (198)
SBFC5000	64.0 (163)	70 (178)	89 (201)	64.0 (163)	130 (331)	89 (226)	64.0 (163)	130 (331)	89 (226)



SBFC SERIES

NORMAL DESIGN CONDITIONS SELECTION GUIDE

North American Cities: July, 3:00 pm local times.



State and city	°F		°C	
	Dry bulb	Wet bulb	Dry bulb	Wet bulb
Alabama				
Anniston	95	78	35.0	25.5
Birmingham	95	78	35.0	25.5
Mobile	95	80	35.0	26.7
Montgomery	95	78	35.0	25.5
Arizona				
Flagstaff	90	65	32.2	18.3
Phoenix	105	76	40.5	24.4
Tucson	105	72	40.5	22.2
Winslow	100	70	37.8	21.1
Yuma	110	78	43.3	25.5
Arkansas				
Fort Smith	95	76	35.0	24.4
Little Rock	95	78	35.0	25.5
California				
Bakersfield	105	70	40.5	21.1
El Centro	110	78	43.3	25.5
Eureka	90	65	32.2	18.3
Fresno	105	74	40.5	23.3
Laguna Beach	85	70	29.4	21.1
Long Beach	90	70	32.2	21.1
Los Angeles	90	70	32.2	21.1
Oakland	85	65	29.4	18.3
Pasadena	95	70	35.0	21.1
Red Bluff	100	70	37.8	21.1
Sacramento	100	72	37.8	22.2
San Bernadino	105	72	40.5	22.2
San Diego	85	68	29.4	20.0
San Francisco	85	65	29.4	18.3
San Jose	91	70	32.8	21.1
Colorado				
Denver	95	64	35.0	17.8
Durango	95	65	35.0	18.3
Fort Collins	92	64	33.3	17.8
Grand Junction	95	65	35.0	18.3
Pueblo	95	65	35.0	18.3
Connecticut				
Bridgeport	95	75	35.0	23.9
Hartford	93	75	33.9	23.9
New Haven	95	75	35.0	23.9
Waterbury	92	77	33.3	25.0

State and city	°F		°C	
	Dry bulb	Wet bulb	Dry bulb	Wet bulb
Delaware				
Wilmington	95	78	35.0	25.5
District of Columbia				
Washington	95	78	35.0	25.5
Florida				
Apalachicola	95	80	35.0	26.7
Jacksonville	95	78	35.0	25.5
Key West	98	78	36.7	25.5
Miami	91	79	32.8	26.1
Pensacola	95	78	35.0	25.5
Tampa	95	78	35.0	25.5
Tallahassee	96	80	35.6	26.7
Georgia				
Atlanta	95	76	35.0	24.4
Augusta	98	76	36.7	24.4
Brunswick	95	78	35.0	25.5
Columbus	98	76	36.7	24.4
Macon	95	78	35.0	25.5
Savannah	95	78	35.0	25.5
Idaho				
Boise	95	65	35.0	18.3
Lewiston	95	65	35.0	18.3
Pocatello	95	65	35.0	18.3
Twin Falls	96	68	35.6	20.0
Illinois				
Cairo	98	78	36.7	25.5
Chicago	95	78	35.0	25.5
Danville	96	79	35.6	26.1
Moline	96	76	35.6	24.4
Peoria	96	76	35.6	24.4
Springfield	98	77	36.7	25.0
Indiana				
Evansville	95	78	35.0	25.5
Fort Wayne	95	75	35.0	23.9
Indianapolis	95	76	35.0	24.4
South Bend	92	78	33.3	25.5
Terre Haute	95	78	35.0	25.5
Iowa				
Cedar Rapids	92	78	33.3	25.5
Davenport	95	78	35.0	25.5
Des Moines	95	78	35.0	25.5

State and city	°F		°C	
	Dry bulb	Wet bulb	Dry bulb	Wet bulb
Iowa (cont.)				
Dubuque	95	78	35.0	25.5
Fort Dodge	95	78	35.0	25.5
Keokuk	95	78	35.0	25.5
Sioux City	95	78	35.0	25.5
Waterloo	92	78	33.3	25.5
Kansas				
Concordia	95	78	35.0	25.5
Dodge City	95	78	35.0	25.5
Salina	101	78	38.3	25.5
Topeka	100	78	37.8	25.5
Wichita	100	75	37.8	23.9
Kentucky				
Lexington	95	78	35.0	25.5
Louisville	95	78	35.0	25.5
Louisiana				
Alexandria	97	80	36.1	26.7
New Orleans	95	80	35.0	26.7
Shreveport	100	78	37.8	25.5
Maine				
Augusta	90	73	32.2	22.8
Bangor	90	73	32.2	22.8
Eastport	90	70	32.2	21.1
Millinocket	90	74	32.2	23.3
Portland	90	73	32.2	22.8
Maryland				
Baltimore	95	78	35.0	25.5
Cumberland	95	75	35.0	23.9
Massachusetts				
Boston	92	75	33.3	23.9
Fall River	90	75	32.2	23.9
Fitchburg	93	75	33.9	23.9
Lowell	93	75	33.9	23.9
Nantucket	95	75	35.0	23.9
Springfield	93	75	33.9	23.9
Worcester	93	75	33.9	23.9
Michigan				
Alpena	95	75	35.0	23.9
Detroit	95	75	35.0	23.9
Escanaba	85	75	29.4	23.9
Flint	95	75	35.0	23.9



SBFC SERIES

NORMAL DESIGN CONDITIONS SELECTION GUIDE

North American Cities: July, 3:00 pm local times.



State and city	°F		°C	
	Dry bulb	Wet bulb	Dry bulb	Wet bulb
Michigan (cont.)				
Grand Rapids	95	75	35.0	23.9
Kalamazoo	95	75	35.0	23.9
Lansing	95	75	35.0	23.9
Marquette	93	73	33.9	22.8
Saginaw	95	75	35.0	23.9
Minnesota				
Alexandria	90	74	32.2	23.3
Duluth	93	73	33.9	22.8
Minneapolis	95	75	35.0	23.9
St. Cloud	90	75	32.2	23.9
St. Paul	95	75	35.0	23.9
Mississippi				
Jackson	98	79	36.7	26.1
Meridian	95	79	35.0	26.1
Vicksburg	95	78	35.0	25.5
Missouri				
Columbia	100	78	37.8	25.5
Kansas City	100	76	37.8	24.4
Kirkville	97	79	36.1	26.1
St. Louis	95	78	35.0	25.5
St. Joseph	97	79	36.1	26.1
Springfield	97	78	36.1	25.5
Montana				
Billings	90	66	32.2	18.9
Butte	88	64	31.1	17.8
Great Falls	95	65	35.0	18.3
Havre	95	70	35.0	21.1
Helena	95	67	35.0	19.4
Kalispell	95	65	35.0	18.3
Miles City	95	68	35.0	20.0
Missoula	95	66	35.0	18.9
Nebraska				
Grand Island	95	78	35.0	25.5
Lincoln	95	78	35.0	25.5
Norfolk	95	78	35.0	25.5
North Platte	95	78	35.0	25.5
Omaha	95	78	35.0	25.5
Valentine	95	78	35.0	25.5
Nevada				
Las Vegas	115	75	46.1	23.9

State and city	°F		°C	
	Dry bulb	Wet bulb	Dry bulb	Wet bulb
Nevada (cont.)				
Reno	95	65	35.0	32.2
Tonopah	95	65	35.0	32.2
Winnemucca	95	65	35.0	32.2
New Hampshire				
Berlin	87	73	30.6	22.8
Concord	90	73	32.2	22.8
Keene	90	73	32.2	22.8
Manchester	90	73	32.2	22.8
Portsmouth	90	73	32.2	22.8
New Jersey				
Atlantic City	95	78	35.0	25.5
Bloomfield	95	75	35.0	23.9
East Orange	95	75	35.0	23.9
Jersey City	95	75	35.0	23.9
Newark	95	75	35.0	23.9
Paterson	95	75	35.0	23.9
Trenton	95	78	35.0	25.5
New Mexico				
Albuquerque	95	70	35.0	21.1
Roswell	95	70	35.0	21.1
Santa Fe	90	65	32.2	18.3
New York				
Albany	93	75	33.9	23.9
Binghamton	95	75	35.0	23.9
Buffalo	93	73	33.9	22.8
Canton	90	73	32.2	22.8
Cortland	90	73	32.2	22.8
Glens Falls	90	73	32.2	22.8
Ithaca	92	75	33.3	23.9
Jamestown	90	75	32.2	22.8
New York City	95	75	35.0	23.9
Oneonta	90	75	32.2	23.9
Oswego	93	73	33.9	22.8
Rochester	95	75	35.0	23.9
Schenectady	93	75	33.9	23.9
Syracuse	93	75	33.9	23.9
Watertown	90	75	32.2	23.9
North Carolina				
Asheville	93	75	33.9	23.9
Charlotte	95	78	35.0	25.5

State and city	°F		°C	
	Dry bulb	Wet bulb	Dry bulb	Wet bulb
North Carolina (cont.)				
Greensboro	95	78	35.0	25.5
Raleigh	95	78	35.0	25.5
Wilmington	95	78	35.0	25.5
North Dakota				
Bismarck	95	73	35.0	22.8
Devils Lake	95	70	35.0	21.1
Fargo	95	75	35.0	23.9
Grand Forks	95	75	35.0	23.9
Williston	95	73	35.0	22.8
Ohio				
Akron	95	75	35.0	23.9
Cincinnati	95	78	35.0	25.5
Cleveland	95	75	35.0	23.9
Columbus	95	76	35.0	24.4
Dayton	95	78	35.0	25.5
Lima	95	78	35.0	25.5
Sandusky	95	75	35.0	23.9
Toledo	95	75	35.0	23.9
Youngstown	95	75	35.0	23.9
Oklahoma				
Ardmore	101	78	38.3	25.5
Bartlesville	101	78	38.3	25.5
Oklahoma City	101	77	38.3	25.0
Tulsa	101	77	38.3	25.0
Oregon				
Baker	90	66	32.2	18.9
Eugene	90	68	32.2	20.0
Medford	95	70	35.0	21.1
Pendleton	95	70	35.0	21.1
Portland	90	68	32.2	20.0
Roseburg	90	66	32.2	18.9
Pennsylvania				
Altoona	95	75	35.0	23.9
Erie	93	75	33.9	23.9
Harrisburg	95	75	35.0	23.9
New Castle	93	75	33.9	23.9
Oil City	95	75	35.0	23.9
Philadelphia	95	78	35.0	25.5
Pittsburgh	95	75	35.0	23.9
Reading	95	75	35.0	23.9



SBFC SERIES

NORMAL DESIGN CONDITIONS SELECTION GUIDE

North American Cities: July, 3:00 pm local times.

State and city	°F		°C	
	Dry bulb	Wet bulb	Dry bulb	Wet bulb
Pennsylvania (cont.)				
Scranton	95	75	35.0	23.9
Warren	93	75	33.9	23.9
Williamsport	93	76	33.9	24.4
Rhode Island				
Block Island	95	75	35.0	23.9
Pawtucket	93	75	33.9	23.9
Providence	93	75	33.9	23.9
South Carolina				
Charleston	95	78	35.0	25.5
Columbia	95	75	35.0	23.9
Greenville	95	76	35.0	24.4
South Dakota				
Huron	95	75	35.0	23.9
Rapid City	95	70	35.0	21.1
Sioux Falls	95	75	35.0	23.9
Tennessee				
Chattanooga	95	76	35.0	24.4
Knoxville	95	75	35.0	23.9
Memphis	95	78	35.0	25.5
Nashville	95	78	35.0	25.5
Texas				
Abilene	100	74	37.8	23.3
Amarillo	100	72	37.8	22.2
Austin	100	78	37.8	25.5
Brownsville	95	80	35.0	26.7
Corpus Christi	95	80	35.0	26.7
Dallas	100	78	37.8	25.5
Del Rio	100	78	37.8	25.5
El Paso	100	69	37.8	20.6
Fort Worth	100	78	37.8	25.5
Galveston	95	80	35.0	26.7
Houston	95	80	35.0	26.7
Palestine	100	78	37.8	25.5
Port Arthur	95	79	35.0	26.1
San Antonio	100	78	37.8	25.5
Utah				
Modena	95	65	35.0	18.3
Logan	95	66	35.0	18.9
Ogden	95	66	35.0	18.9
Salt Lake City	95	65	35.0	18.3

See next page for Canada and Mexico

State and city	°F		°C	
	Dry bulb	Wet bulb	Dry bulb	Wet bulb
Vermont				
Burlington	90	73	32.2	22.8
Rutland	90	73	32.2	22.8
Virginia				
Lynchburg	95	75	35.0	23.9
Norfolk	95	78	35.0	25.5
Richmond	95	78	35.0	25.5
Roanoke	95	76	35.0	24.4
Virginia Beach	95	78	35.0	25.5
Washington State				
North Head	85	65	29.4	18.3
Seattle	85	65	29.4	18.3
Spokane	93	65	33.9	18.3
Tacoma	85	64	29.4	17.8
Walla Walla	95	65	35.0	18.3
Wenatchee	90	65	32.2	18.3
Yakima	95	65	35.0	18.3
West Virginia				
Bluefield	95	75	35.0	23.9
Charleston	95	75	35.0	23.9
Huntington	95	76	35.0	24.4
Martinsburg	95	76	35.0	24.4
Parkersburg	95	75	35.0	23.9
Wheeling	95	75	35.0	23.9
Wisconsin				
Ashland	90	75	32.2	23.9
Eau Claire	95	75	35.0	23.9
Green Bay	95	75	35.0	23.9
La Crosse	95	75	35.0	23.9
Madison	95	75	35.0	23.9
Milwaukee	95	75	35.0	23.9
Wausau	95	75	35.0	23.9
Wyoming				
Casper	95	65	35.0	18.3
Cheyenne	95	65	35.0	18.3
Lander	95	65	35.0	18.3
Sheridan	95	65	35.0	18.3



SBFC SERIES

NORMAL DESIGN CONDITIONS SELECTION GUIDE

North American Cities: July, 3:00 pm local times.

CANADA

Province and city	°F		°C	
	Dry bulb	Wet bulb	Dry bulb	Wet bulb
Alberta				
Calgary	90°F	66	32.2	18.9
Edmonton	90	68	32.2	20.0
Grand Prairie	85	66	29.4	18.9
Lethbridge	90	68	32.2	20.0
McMurray	90	67	32.2	19.4
Medicine Hat	90	65	32.2	18.3
British Columbia				
Fort Nelson	90	65	32.2	18.3
Penticton	91	70	32.8	21.1
Prince George	90	65	32.2	18.3
Prince Rupert	80	62	26.7	16.7
Vancouver	80	67	26.7	19.4
Victoria	80	65	26.7	18.3
Manitoba				
Brandon	90	71	32.2	21.7
Churchill	80	65	26.7	18.3
The Pas	90	70	32.2	21.1
Winnipeg	90	71	32.2	21.7
New Brunswick				
Campbellton	90	75	32.2	23.9
Fredericton	90	75	32.2	23.9
Moncton	87	73	30.6	22.0
Saint John	85	70	29.4	21.1
Newfoundland				
Corner Brook	85	70	29.4	21.1
Gander	85	70	29.4	21.1
Goose Bay	85	70	29.4	21.1
Saint Johns	80	70	26.7	21.1
Northwest Territories				
Yellowknife	75	62	23.9	16.7
Nova Scotia				
Halifax	90	75	32.2	23.9
Sydney	85	70	29.4	21.1
Yarmouth	80	67	26.7	19.4

CANADA (cont.)

Province and city	°F		°C	
	Dry bulb	Wet bulb	Dry bulb	Wet bulb
Ontario				
Hamilton	90	75	32.2	23.9
Kapuskasing	85	72	29.4	22.2
Kingston	88	75	31.1	23.9
Kitchener	88	75	31.1	23.9
London	90	75	32.2	23.9
North Bay	87	72	30.6	22.2
Ottawa	90	75	32.2	23.9
Peterborough	90	75	32.2	23.9
Thunder Bay	85	70	29.4	21.1
Timmins	90	75	32.2	23.9
Toronto	93	75	33.9	23.9
Windsor	90	75	32.2	23.9
Sault Ste. Marie	93	75	33.9	23.9
Prince Edward Island				
Charlottetown	85	70	26.7	21.1
Quebec				
Montreal	90	75	32.2	23.9
Quebec City	90	75	32.2	23.9
Sherbrooke	87	75	30.6	23.9
Three Rivers	88	76	31.1	24.4
Saskatchewan				
Prince Albert	88	72	31.1	22.2
Regina	90	71	32.2	21.7
Saskatoon	90	70	32.2	21.1
Swift Current	93	72	33.9	22.2
Yukon Territory				
Whitehorse	79	62	26.1	16.7

MEXICO

State and city	°F		°C	
	Dry bulb	Wet bulb	Dry bulb	Wet bulb
Distrito Federal				
Mexico City	83	61	28.3	16.1
Jalisco				
Guadalajara	93	68	33.9	20.0
Nuevo Leon				
Monterrey	98	79	36.7	26.1
Veracruz				
Veracruz	91	83	32.8	28.3
Yucatan				
Merida	97	80	36.1	26.7

