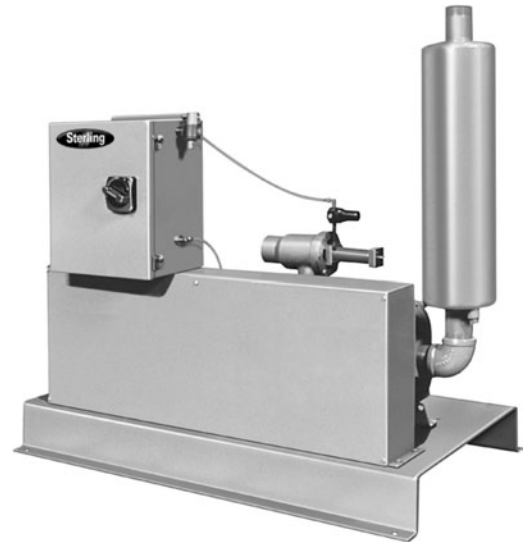


SPD SERIES CONTINUOUS CONVEYING WITH AUTOMATIC RELIEF

The Sterling SPD Vacuum pump uses a positive displacement blower and is intended to convey pellets and regrind over long distances. It features continuous conveying with atmospheric relief for high conveying rates, vacuum gauge on pump for monitoring vacuum level, and high vacuum relieve for safe operation.



Features

- Positive displacement blower
- 460/3/60 totally-enclosed fan-cooled (TEFC) motor
- Atmospheric vent valve
- Adjustable motor mount
- NEMA-12 junction box with starter mounted on unit
- Vacuum gauge
- Mechanical high vacuum relief valve
- High vacuum safety switch
- Premium discharge silencer

Options

- Sound enclosure
- Fused disconnect
- NEMA 4 junction box
- 208/3/60, 230/3/60, 380/3/50, 415/3/50, 575/3/60 voltage
- Re-sheave power unit
- Retrofit junction box to convert old style or other manufacturers vacuum power units to use new SCC controllers. Specify HP and voltage when ordering.



SPD SERIES

SPECIFICATIONS

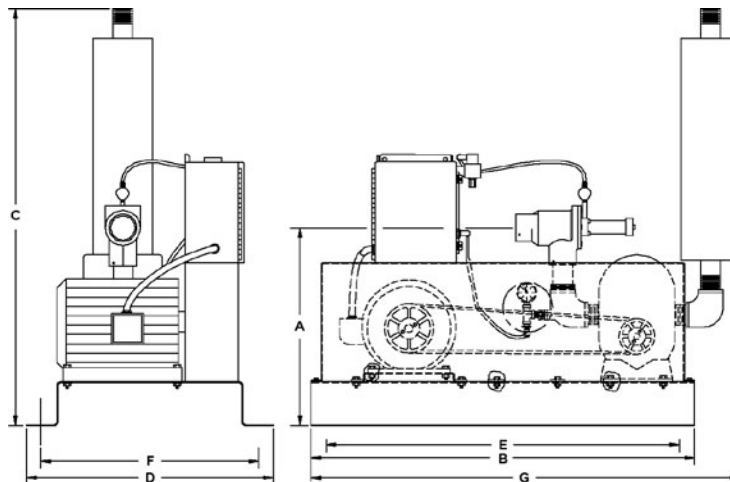
Model	HP (kW)	Line Size OD in. (mm)	Air Flow cfm (cmh)	Amp Draw 230 V	Amp Draw 460 V	Amp Draw 575 V	Shipping Weight lbs. (kg)
SPD20	20 (14.9)	4 (101.6)	475 (805)	49.6	24.8	19.8	1600 (727)
SPD30	30 (22.4)	5 (127)	665 (1127)	76.3	38.1	30.4	1700 (789)

Rated performance is at standard atmosphere and sea level conditions. High elevation affects system performance.

Note: 3.5" OD is equivalent to 3" Sch. 5; 4.5" OD is equivalent to 4" Sch. 10

Model	Recommended Vacuum Receivers, cu. ft. (l)
SPD20	3.0, 6.0 (84.9, 169.9)
SPD30	3.0, 6.0 (84.9, 169.9)

DIMENSIONS



Model	A in. (cm)	B in. (cm)	C in. (cm)	D in. (cm)	E in. (cm)	F in. (cm)	G in. (cm)
SPD20	32 (81)	56 (142)	65 (178)	32.5 (82)	53 (134)	31 (79)	60 (167)
SPD30	38 (97)	50 (127)	85 (216)	37.25 (95)	48.25 (123)	35.75 (91)	69.3 (176)

