

## **SSG SERIES** EASY MONITORING OF MATERIAL CYCLE

SSG Series sight glass assemblies feature high-visibility sight glass for easy monitoring of the material load/discharge cycle. The SSG Series are designed for continuous 24-hour operation, with use in minimal inventory applications. The rugged, modular construction allows quick, economical reconfiguration to accommodate future production requirements.



### Features

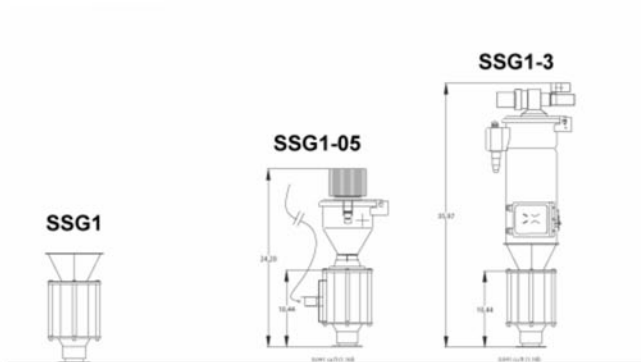
- Minimal inventory sight glass assembly
- Three size ranges available (5, 10, 15 liter)
- Converts standard vacuum receiver into minimal inventory receiver
- Allows 360° view of material going into process
- Vacuum receiver sold separately
- Easy clean out feature

### Options

- Level sensor
- Flange-mounting (SSG 15 only)



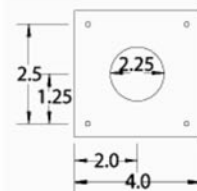
### SSG SERIES



**SSG1**

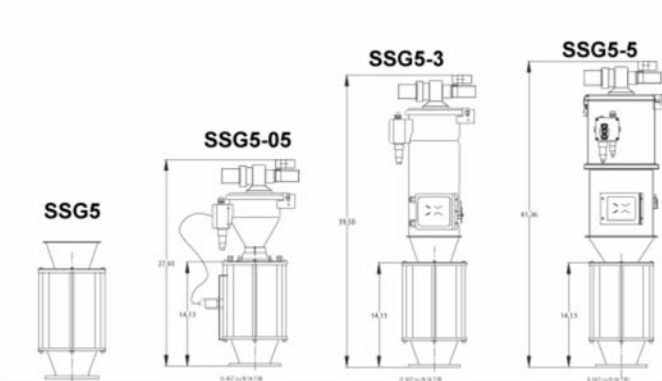
**SSG1-05**

**SSG1-3**



Note: Sight glass cylinder is pyrex

Model Number	Sight Glass Capacity, cu. ft. (l)	Compatible to mount receiver model
SSG 1-05	0.041 (1.16)	SSV05, SSV05 R, SSV05 2/R, SSK05
SSG 1-3	0.041 (1.16)	SSK3, SSE2

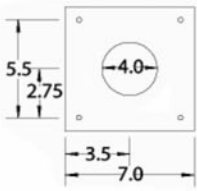


**SSG5**

**SSG5-05**

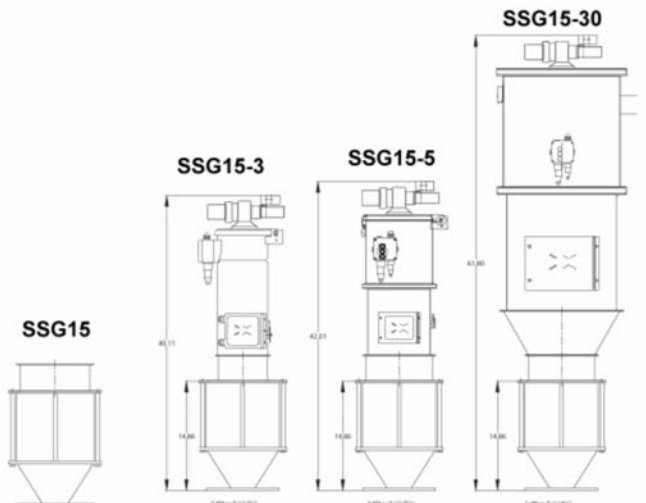
**SSG5-3**

**SSG5-5**



Note: Sight glass cylinder is pyrex

Model Number	Sight Glass Capacity, cu. ft. (l)	Compatible to mount receiver model
SSG 5-05	0.167 (4.731)	SSV05, SSV05 R, SSV05 2/R, SSK05
SSG 5-3	0.167 (4.731)	SSK3, SSE2
SSG 5-5	0.167 (4.731)	SSK5, SSE5

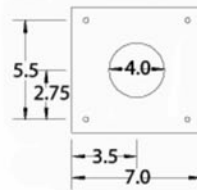


**SSG15**

**SSG15-3**

**SSG15-5**

**SSG15-30**



Note: Sight glass cylinder is acrylic-150°F temperature maximum. For high temperature applications, consult factory.

Model Number	Sight Glass Capacity, cu. ft. (l)	Compatible to mount receiver model
SSG 15-3	0.379 (10.731)	SSK3, SSE2
SSG 15-5	0.379 (10.731)	SSK5, SSE5
SSG 15-30	0.379 (10.731)	SSK30

