

SSR, SSI SERIES ACCOMMODATE FUTURE PRODUCTION REQUIREMENTS

SSR Series vacuum receivers from Sterling feature modular stainless steel design, offering significant operational advantages. The modular design allows these units to be economically reconfigured to accommodate future production requirements. Pyrex™ sight glass on SSI models allow for easy visual monitoring of material flow.

SSR/SSI Series vacuum receivers are used at each loading point in a central vacuum conveying system. SSI/SSR01, 03 and SSR06 receivers are not to be used on single line Y systems and SSR/SSI 11 receivers are not recommended. These small receivers should be used from beside the machine or with dedicated line systems.



Features

- Brushed stainless steel construction
- Material demand/level sensor
- Internal check valve on material inlet for 1.5, 2.0, 2.5, and 3.0 (not 01, 03 or 06 models)
- Removable aluminum inlets and outlets on most models (2"–4")
- 4 Sch. 5 and larger inlets and outlets on SSR 85/170 receivers are welded in place
- SSR receivers include counter-weighted flapper and elastomer throat gasket
- Stainless steel filter screen (10 mesh) (SSI/SSR 01, 03 and SSI/SSR 06-45), stainless steel pellet deflector (SSR 85/170)
- 90 vacuum outlets available on SSR 85/170
- Sight glass models feature Pyrex sight glass, 10 mesh stainless steel screen, and square flange. SSI 11 includes check valve for single-line Y applications

Options

- Volume-fill sensor, 24 VDC or 115 VAC control voltage (not available on SSR03)
- Stainless steel 20 mesh screen for micro-pellet applications
- OptiView riser assembly, 150°F ambient max. temp. (not available on SSR 85/170)
- Machine-mount adapter for OptiView (or aluminum riser), square mounting flange (not available on SSR 85/170)
- Aluminum riser, flange-mount only (not available on SSI/SSR 01 and 03)
- Silo-mount riser with gasketed, non-vented access door, part no. A0566986 (SSR 85/170 only)
- Aluminum riser with vented access door, part no. A0566987 (SSR 85/170 only)
- High-temperature (400°F) silicone discharge throat gasket (not available on SSI/SSR 01 and 03)
- White neoprene discharge throat gasket, FDA approved, 180°F max. (not available on SSI/SSR 01 and 03)
- 90° vacuum outlets (SSR 85/170 only)
- Adapter to fit TF/VF mounting hole, (18" dia. to 15" dia. BC, part. no. A0569579 (SSR 85/170 only)
- Polyester cloth filter in lieu of std. screen/deflector



SSR, SSI SERIES

SPECIFICATIONS

Model	Receiver Capacity cu. ft. (l)	Receiver Capacity lbs. (Kg)	Shipping Weight lbs. (Kg)	Standard inlet/outlet sizes	Sight Glass Capacity cu. ft. (l)	
SSR03	0.1 (2.8)	3 (1.5)	29 (13)	1.5 (38)	N/A	N/A
SSR06	0.2 (5.6)	6.0 (3.1)	31 (14)	1.5, 2 (38, 51)	N/A	N/A
SSR11	0.4 (11.3)	12.0 (6.3)	33 (15)	1.5, 2, 2.5 1 (38, 51, 64 1)	N/A	N/A
SSR23	0.8 (22)	25 (12.7)	40 (18)	2, 2.5, 3 (51, 64, 76)	N/A	N/A
SSR45	1.6 (45)	50 (25.4)	43 (20)	2, 2.5, 3, 3.5 2 (51, 64, 76, 89 2)	N/A	N/A
SSR85	3.0 (85)	100 (45)	75 (34)	2.5, 3, 3.5, 4, 4.5 (64, 76, 89, 101, 114)	N/A	N/A
SSR170	6.0 (170)	200 (90)	95 (43)	2.5, 3, 3.5, 4, 4.5, 5 sch. 10 (64, 76, 89, 101, 114, 143)	N/A	N/A

1) Includes 2.5" to 2" transition on inlet/outlet and 2" check valve on inlet

2) Includes 3.5" to 3" transition on inlet/outlet and 3" check valve on inlet

Model	Receiver Capacity cu. ft. (l)	Receiver Capacity lbs. (Kg)	Shipping Weight lbs. (Kg)	Standard inlet/outlet sizes	Sight Glass Capacity cu. ft. (l)	
SSI01	0.028 (0.79)	1 (0.45)	15 (7)	1.5 (38)	0.01 (0.28)	0.34 (0.15)
SSI03	0.1 (2.8)	3.0 (1.5)	27 (13)	1.5 (38)	0.02 (0.57)	0.68 (0.31)
SSI06	0.2 (5.6)	6.0 (3.1)	47 (22)	1.5, 2 (38, 51)	0.09 (2.55)	3.25 (1.48)
SSI11	0.4 (11.3)	12.0 (6.3)	49 (23)	1.5, 2, 2.5 1 (38, 51, 64 1)	0.09 (2.55)	3.25 (1.48)



SSR, SSI SERIES

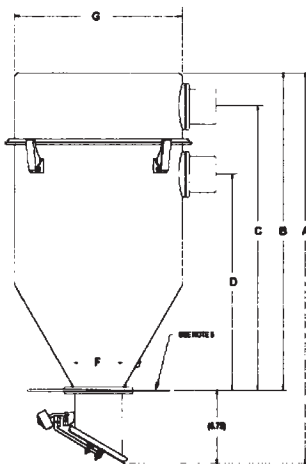
DIMENSIONS

SSR Dimensions, in. (cm)									
Model	A	B	C	D	E	F	G	H ¹	J ²
SSR03	14.875 (38)	10.625 (27)	9.375 (24)	6.38 (16)	12 (31)	1.75 (4)	6.375 (16)	5.5 (14)	11 (28)
SSR06	16.75 (43)	11.5 (29)	9.50 (24)	5.5 (14)	12 (31)	4 (10)	9.125 (23)	N/A	11 (28)
SSR11	22.375 (57)	17.5 (45)	13.50 (34)	11.5 (29)	12 (31)	4 (10)	9.125 (23)	N/A	11 (28)
SSR23	26 (66)	20.125 (51)	17.625 (45)	11.625 (30)	12 (31)	4 (10)	14.125 (36)	N/A	11 (28)
SSR45	32.25 (82)	26.375 (67)	23.875 (61)	18.125 (46)	12 (31)	4 (10)	14.125 (36)	N/A	11 (28)
SSR85	46.56 (119)	39.21 (100)	N/A	25.75 (66)	16 (41)	6 (15)	20 (51)	N/A	15 (38)
SSR170	62.56 (159)	55.21 (140)	N/A	41.75 (106)	16 (41)	6 (15)	20 (51)	N/A	15 (38)

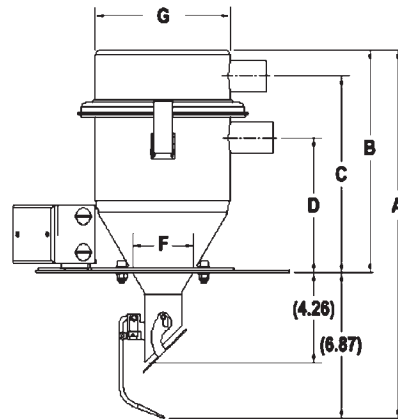
- 1) .312" (8 mm) dia. holes; 2 places, equally spaced
- 2) .312" (8 mm) dia. holes; 12 places equally spaced

General Notes:

0.03, 0.1, 0.2, 0.4, 0.8 and 1.6 cu. ft. models have vacuum outlet mounted on the side of the cover .
 3.0 and 6.0 cu. ft. models have the vacuum outlet at the top of the cover.



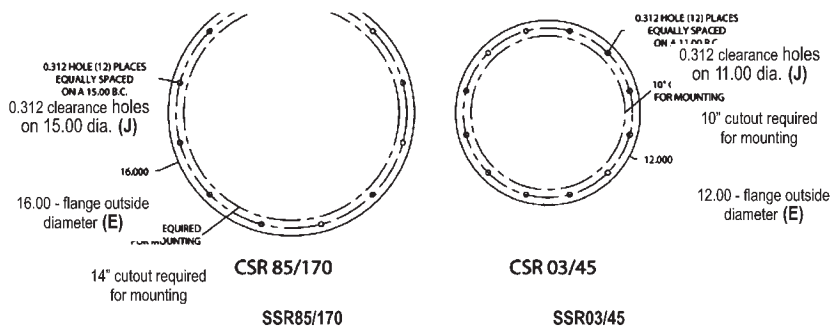
SSR45 Vacuum Receiver



SSR03 Vacuum Receiver

MOUNTING PATTERNS

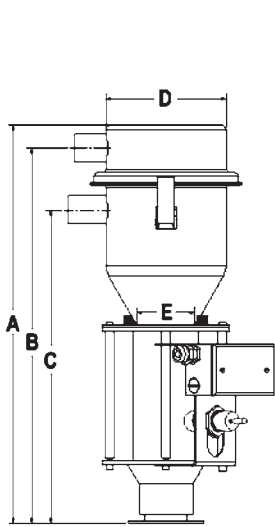
Mounting Pattern - Flange Mount Configuration



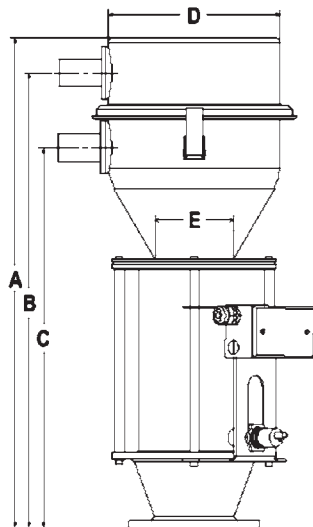
SSR, SSI SERIES

DIMENSIONS

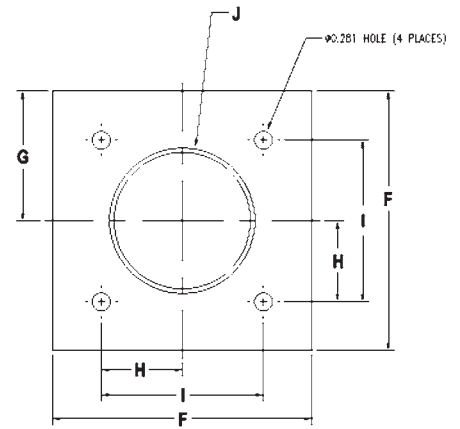
SSI Dimensions, in. (cm)										
Model	A	B	C	D	E	F	G	H	I3	J
SSI01	17.50 (44)	16.125 (42)	12.50 (32)	6.375 (16)	1.75 (4)	4 (10)	2 (5)	1.25 (3)	2.5 (6)	2 (5)
SSI03	21.25 (54)	20 (51)	16.625 (42)	6.375 (16)	1.75 (4)	4 (10)	2 (5)	1.25 (3)	2.5 (6)	2 (5)
SSI06	25.625 (65)	23.75 (60)	19.5 (50)	9.125 (23)	3 (8)	7 (18)	3.5 (9)	2.75 (7)	5.5 (14)	3 (8)
SSI11	31.5 (80)	29.625 (75)	25.5 (65)	9.125 (23)	3 (8)	7 (18)	3.5 (9)	2.75 (7)	5.5 (14)	3 (8)



SSI03 Vacuum Receiver



SSI06 Vacuum Receiver



SSI Mounting Flange

